

Aeon CLR® 3 Series

EDGE FREE® Ceiling Ambient Light Rejecting Fixed Frame Projection Screen

User's Guide (Z-Type)

Product Description:

The Aeon CLR® 3 Series is an ultra-short throw fixed frame projection screen that uses Elite's EDGE FREE CLR® technology. It is designed for *tabletop ultra-short throw Projectors only*, for use in environments where ceiling light cannot be entirely controlled. It includes an LED backlight kit and a bezel trim to further enhance the frame appearance.

Screen Maintenance

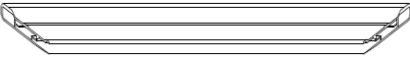
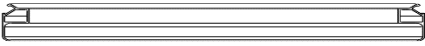
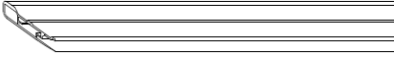
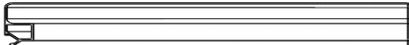

Dust, dirt, and scratches on the projection screen surface will affect the quality and performance of the projection image. For optimal results we advise to pay attention to the following instructions.

- 1) The screen surface has a horizontal lenticular structure. **DO NOT** wipe the screen up and down or in a circular motion. *Wipe from left to right only.*
- 2) Clean the dust on the screen surface with a soft brush or microfiber cloth. A rough/coarse towel or cloth may damage the screen's optical/lenticular surface.
- 3) Gently wipe the screen with a lightly moistened white lint free cloth with water or with a neutral detergent (1mL/0.33 oz) mixed with water (1000 mL/33.8 oz).

Notes: *The following precautions should always be followed to avoid damaging the material, which is not covered under warranty.*


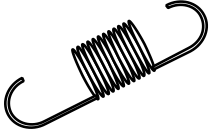
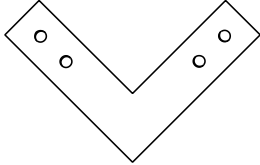
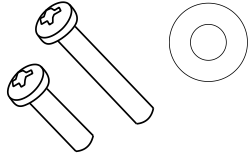

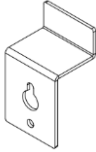
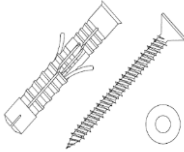
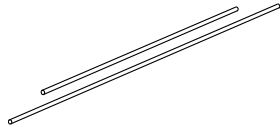
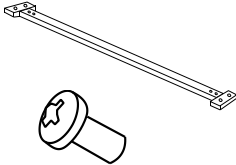

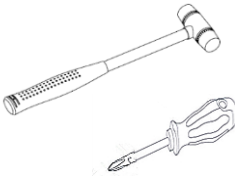
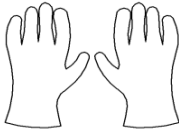




- Don't touch the screen material to avoid leaving fingerprints.
- Use gloves when handling the material.
- Don't scratch the material, as it will leave permanent markings on the screen's surface.
- Don't point to the screen material with a fingertip or other sharp objects to prevent damage to the material.
- Don't use acetone, benzene, alcohol and any other organic solvents to clean the screen material.

Using such chemicals will permanently damage the screen.

Frame and Edge Trim Parts			
Qty Item	Main Frame Parts	Qty Item	Edge Trim Parts
2 pcs	Vertical Frame (A) 	2 pcs	Vertical Velvet Trim 
2 pcs	½ Horizontal Frame (B) 	4 pcs	½ Horizontal Velvet Trim 
2 pcs	½ Horizontal Frame (C) 		

Hardware Parts List

Please make sure all parts listed below are included before proceeding with the installation.

A. Center Joints	B. Spring	C. Elbow Joints	D. Long Screw, Short Screw & Washer
			
E. Pull Hook	F. Wall Bracket	G. Wall Anchors, Screw & Washer	H. Retention Rods
			
I. Center Support Bar and Small screws	J. Rubber End Cap	K. Screwdriver and mallet	L. Pair of Gloves
			
M. Power Adapter 24V-2A	N. Led Strip Light 24V and LED controller	O. LED Controller bracket	P. Cable Tie
			

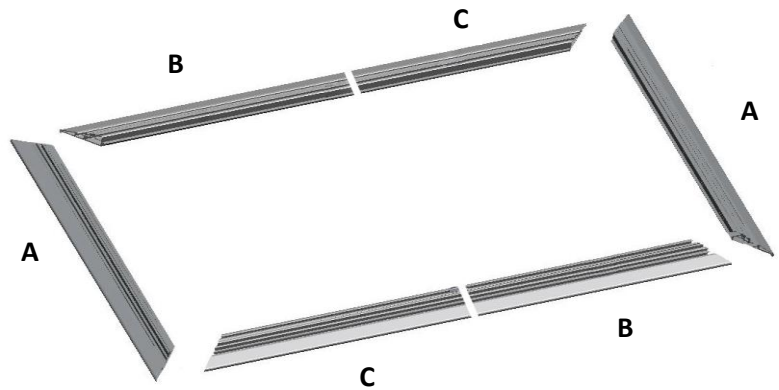
Note: The parts listed above are subject to change without notice.

Item	Part List	105" Screen	125" Screen
A	Center Joints	2	2
B	Spring	44	58
C	Elbow Joints	4	4
D	M4x30mm Long Screw/M5x10mm Short Screw/Washer	12/32/32	12/32/32
E	Pull Hook	1	1
F	Wall Brackets	2	2
G	5x70mm Wall anchors/M5x70mm Screw/Washer	4/4/4	4/4/4
H	Retention Rods	6	6
I	Center Support Bar/M4x10 Small Screws	1/6	1/6
J	Rubber End Cap	8	8
K	Screwdriver/Rubber Hammer	1/1	1/1
L	Pair of Gloves	1	1
M	Power Adapter 24V-2A	1	1
N	Led Strip Light 5050 24V	1	1
O	Bracket of RGB control box	1	1
P	Cable Tie	5	5

Frame Assembly

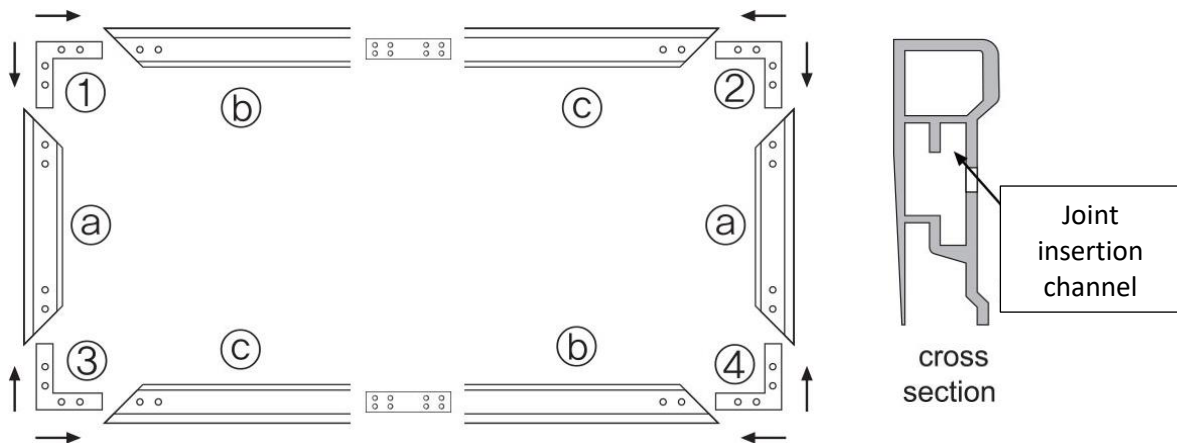
Step 1. Place a soft-clean cloth on the ground or other flat surface of the area where the screen will be assembled.

Step 2. Position the pieces of the frame face-down on the soft-clean cloth in the arrangement shown below.

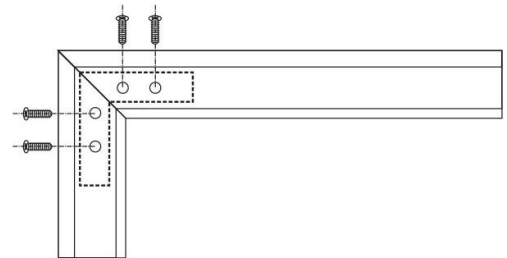


Step 3. Insert the *Center Joint (A)* connectors into one-half of the horizontal frame and secure with 4 (*M5x10mm*) screws. Once secure, connect the other half of the horizontal frame and fasten with 4 more screws.

Step 4. Connect the *Elbow Joints (C)* to top and bottom sections of the vertical frame. Once inserted, connect the vertical sections to the horizontal frame sections.



Make sure all the holes are in alignment and the frame pieces are flush (no gaps). They should form perfect right angles. **NOTE:** Do not tighten elbow joints completely until all frame pieces are assembled correctly.

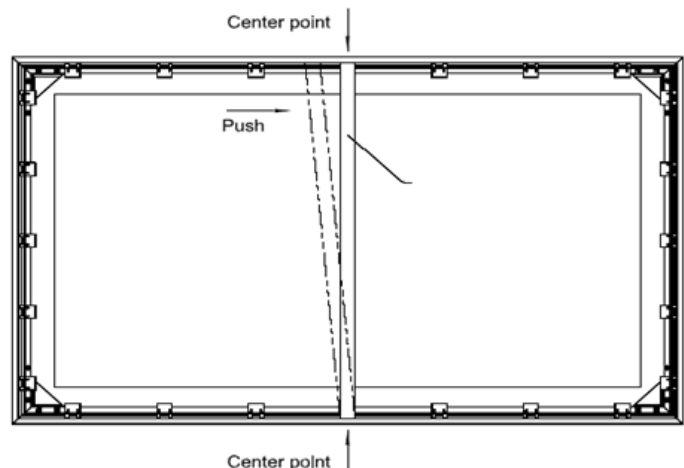


Center Support Bar Installation

Step 1. Two people are suggested for this step. Place the *Center Support Bar (I)* into the top groove of the back of the frame.

Step 2. Next, slowly push and slide the opposite side of the center support bar towards the center as shown below.

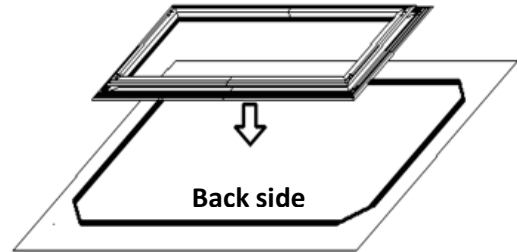
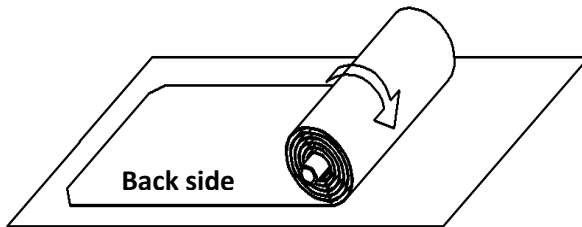
Step 3. Using the (*M4x10*) screws, screw both ends of the center support bar and make sure it is secure.



Screen Material Installation

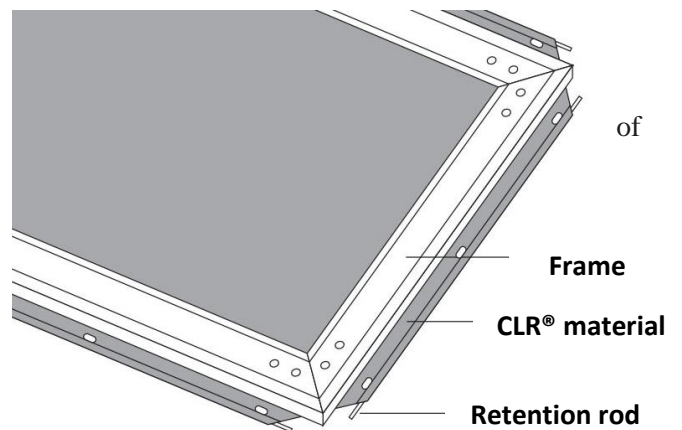
Step 1. Put on the gloves (L) and carefully unroll the screen material on a clean surface. Lay the screen material completely flat with the front facing down on a clean surface in a horizontal position. The back side of the screen material should be placed upwards.

Step 2. Carefully and gently place the assembled frame on top the screen material as shown below. Make sure to not allow the angle edge of the frame to come in direct contact with the screen material to avoid puncturing it.



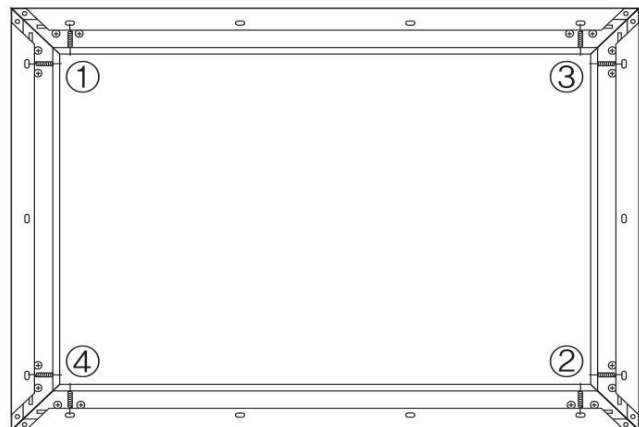
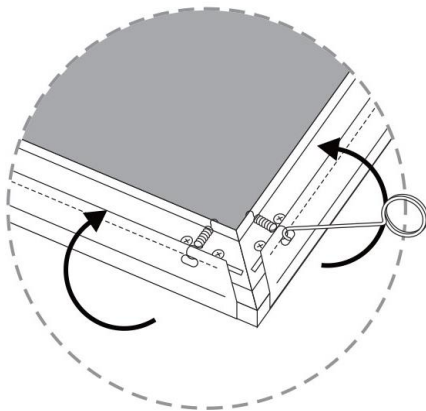
Step 3. Insert the four horizontal and two vertical **Retention Rods (H)** into the corresponding sides of the screen material, while keeping the material lying flat. Be careful not to snag on the holes at the edge the material during this process; forcing the rods may damage the screen material.

Step 4. After the **Retention rods (H)** have been inserted, make sure to have all corners aligned to the frame and fold over the material on each corner.



Step 5. Begin by first attaching all four corners in the sequence shown below 1-4.

ATTENTION: Failure to attach the first corners will result in the material shifting out of place and causing wrinkles or waves throughout the projection area.



Hook the small end of the **Spring (B)** to the frame. Then use the **Pull hook (E)** to hook the other side of the spring to the material making sure the spring attaches onto the Retention rod to avoid ripping the material.

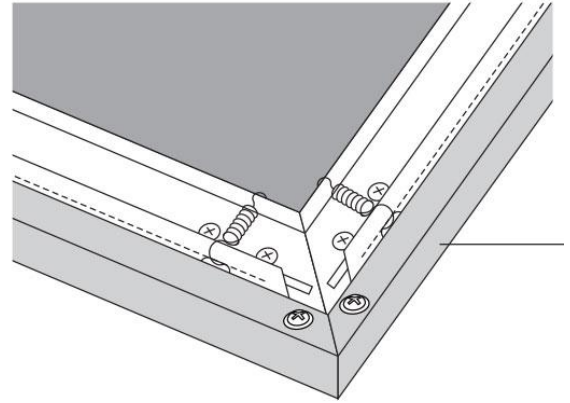
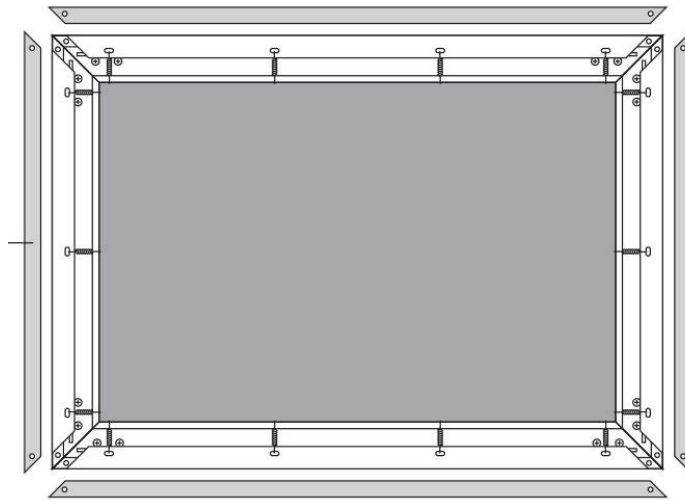
Step 6. After hooking the corner springs, attach the center points on all sides. Once all center points have been secured, work your way around the frame to hook the rest of the springs to the material.

Step 7. Once the material is completely attached, place the black **rubber end caps (J)** at each of the **tension rod (H)** ends.

Velvet Trim Installation

Step 1. Place the velvet frame pieces over each side of the frame (backside) and secure it using the **M4x30 screws (D)**.

NOTE: Do not completely tighten the screws until you make sure each corner forms a right angle.

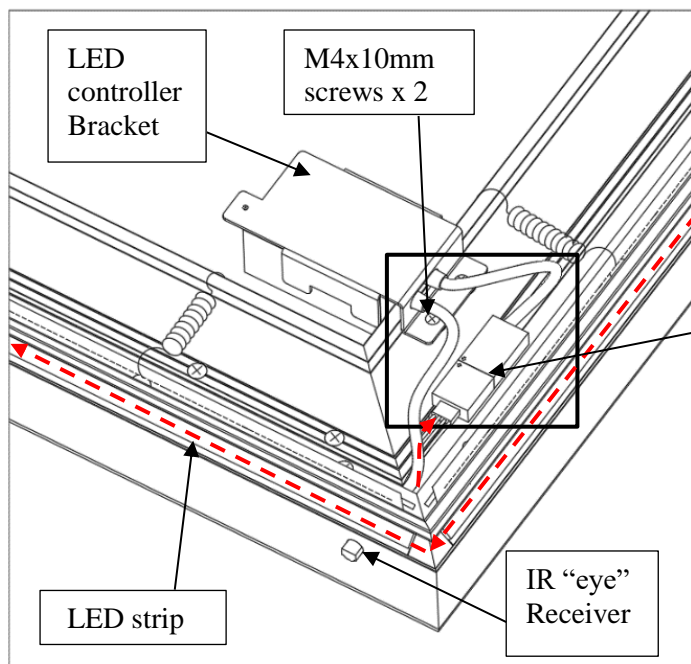


Step 3. Install the LED controller **Bracket (O)** to the frame using two **M4x10 screws (I)**.

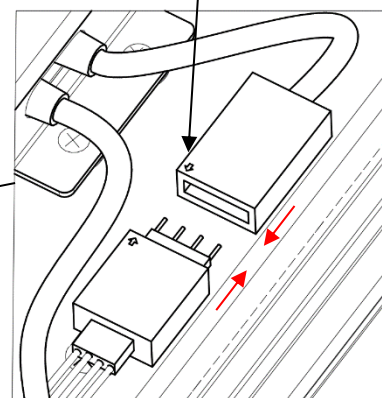
Step 4. Remove self-adhesive backing and adhere the **LED strip (N)** along the entire back of the frame as depicted on the red dotted lines.

Step 5. Connect the Led strip light terminal to the LED control box power input terminal making sure to follow the direction of the arrow.

Step 6. Then insert the **IR "Eye" Receiver** in the hole on the bottom left corner of the screen.



Follow the direction of the arrow

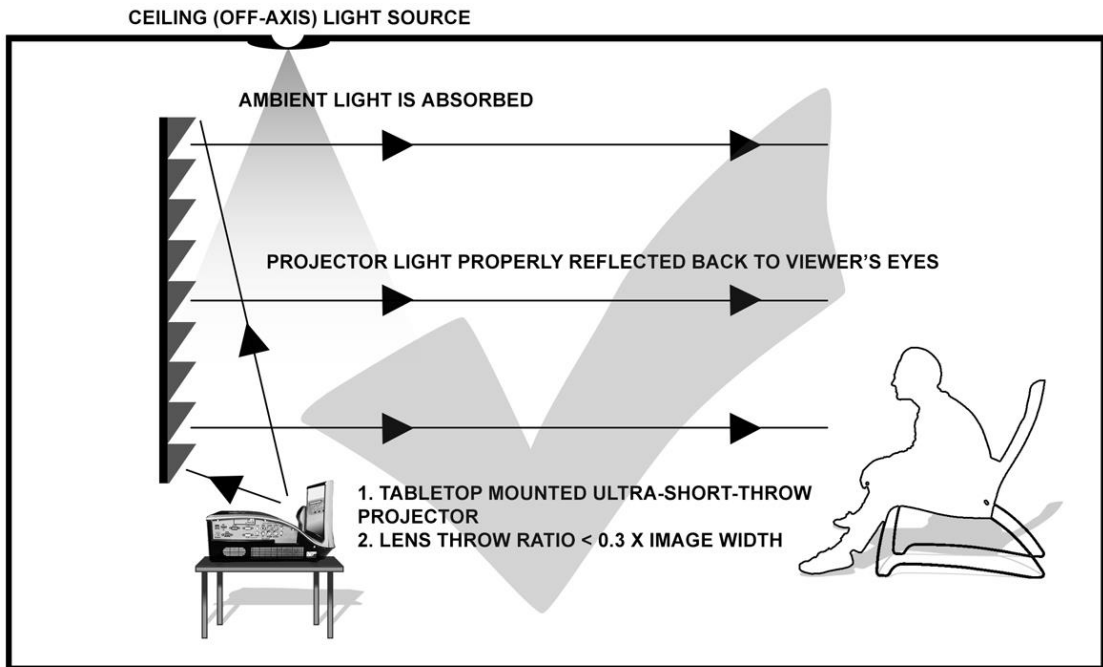


Notice to Installer:

Projector Placement for Aeon CLR® 3.

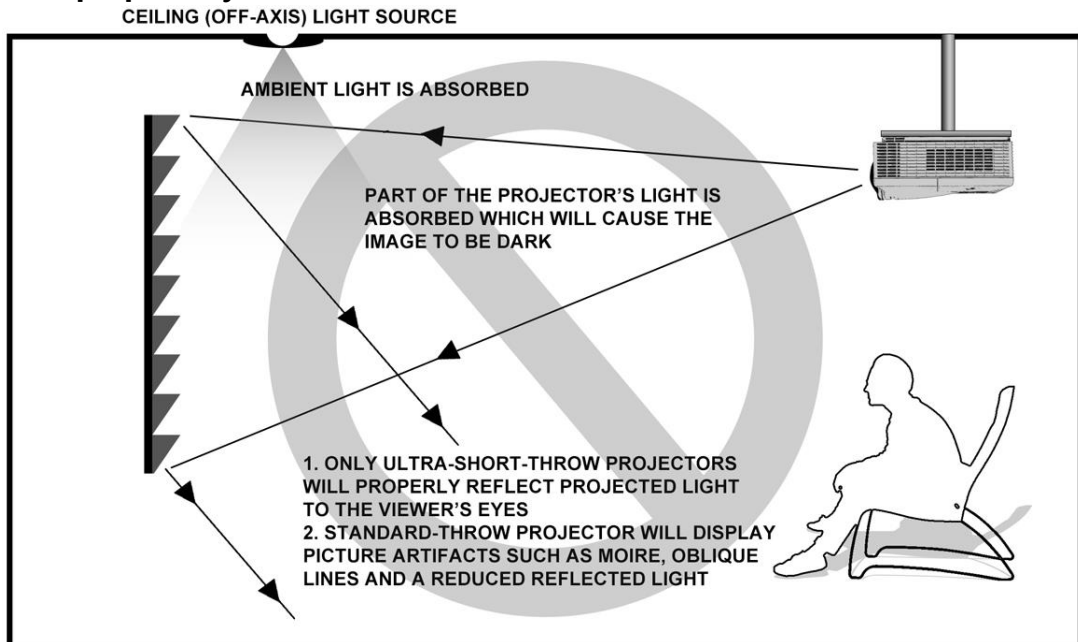
The CLR® 3 front projection material is exclusively for table-mounted ultra-short throw projectors as illustrated in example 1 below. Overhead placement or a standard projector will make the image very dark, on account of the screen's absorbent layer deflecting light that is not aligned with its reflective angle.

Example 1: Proper Projector Installation



ULTRA SHORT THROW PROJECTOR ILLUSTRATION

Example 2: Improper Projector Installation



PROJECTOR CEILING INSTALLATION (NOT COMPATIBLE)

Images are not up to scale and are for illustrations purposes only.

Wall Mount Installation

Step 1. Locate your desired installation location and mark the drill-hole area of where the screen is to be installed.

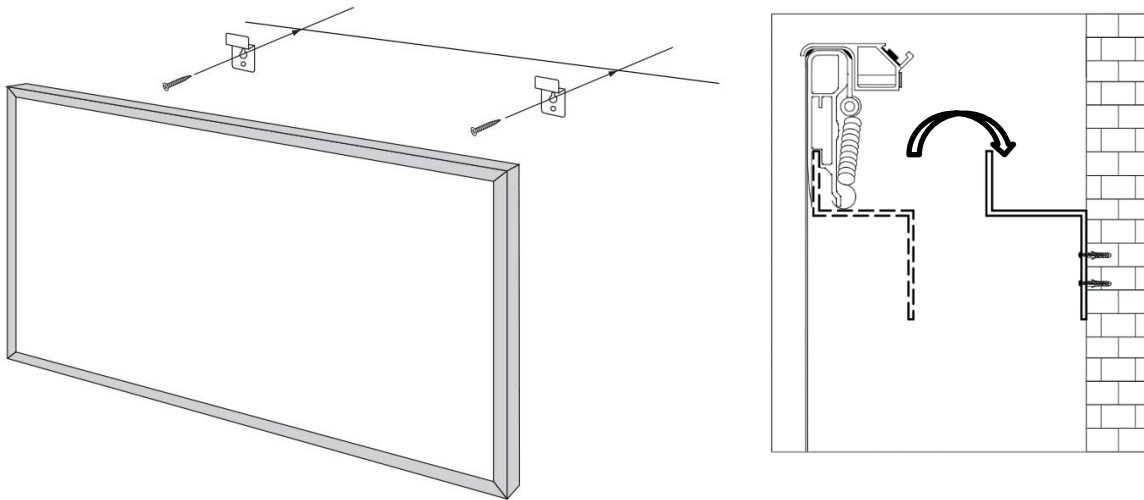
Step 2. Using the marked area, drill holes on the wall where the *brackets (F)* will be installed.

Step 3. Place the wall *anchor (G)* through the hole for each bracket on the frame.

Step 4. Line up the wall brackets with the drilled holes on the installation location and screw them in using the *M5x70 screw (G)*. Make sure the brackets are leveled.

Step 5. Next, (two people required) carefully hang and position the screen onto the wall.

Your installation is now complete.



For more information, technical support or your local Elite Screens contact, please visit www.elitescreens.com