



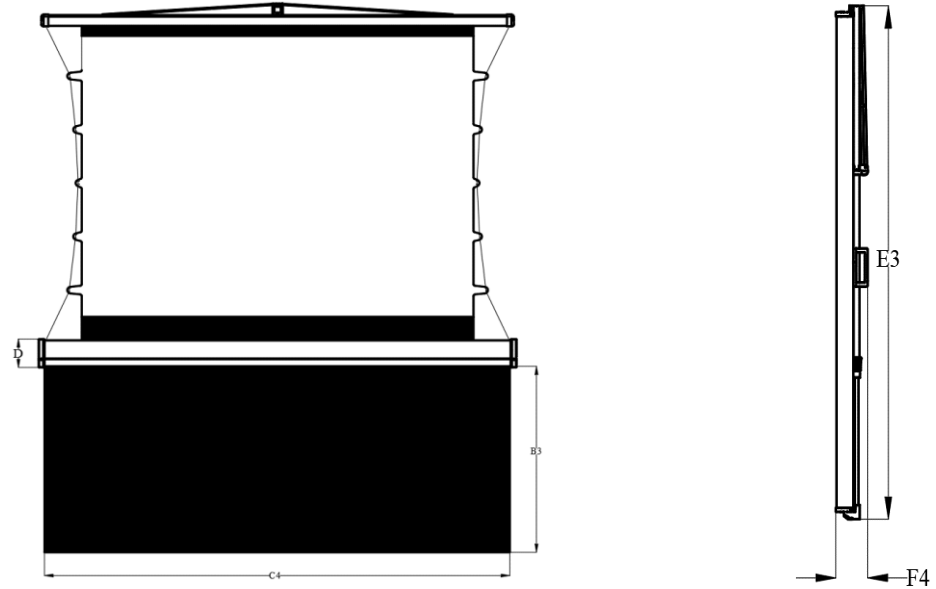
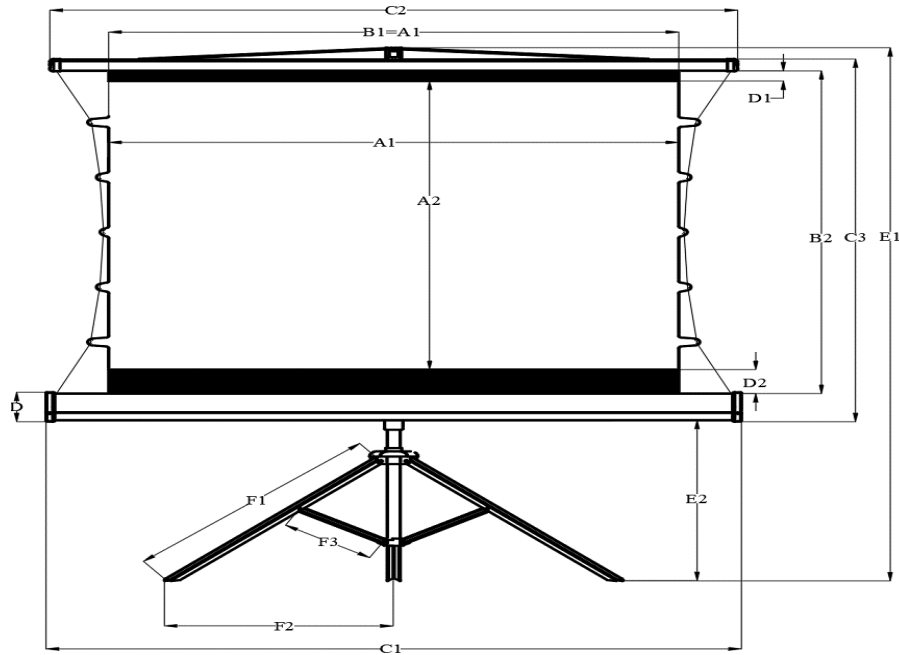
Light-ON CLR[®] 3 - Tripod Dimensions Table

Model Number	Nominal Diagonal	Aspect Ratio	Screen Material	Gain	Viewable Width (A1)	Viewable Height (A2)	Screen Width (B1)	Screen Height (B2)	Skirt Height (B3)	Case Length (C1)	Top Bar Length (C2)	C3	C4	D	D1*	D1	D2	E1		E2		E3	F1	F2	F3	F4	Carrying Bag Dims			Packing Dims		
																		Min	Max	Min	Max						G1	G2	G3	L	W	H
<i>Unit: Inch</i>																																
EPS-TT55V-CLR3	55"	4:3	CLR [®] 3	0.8	44.1	33.1	44.1	37.0	63.0	53.7	53.1	41.1	53.9	3.3	0.0	1.2	2.8	58.1	90.2	14.2	46.3	55.1	19.3	28.3	7.9	6.3	56.1	7.3	4.1	57.3	10.2	7.1
<i>Unit: mm</i>																																
EPS-TT55V-CLR3	55"	4:3	CLR [®] 3	0.8	1,120	840	1,120	940	1,600	1,365	1,350	1,045	1,370	85	0	30	70	1,475	2,290	360	1,175	1,400	490	720	200	160	1,425	185	105	1,455	260	180

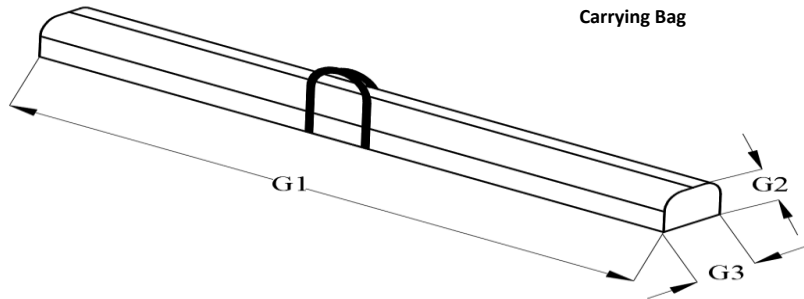
Note: Data Error may be ± 1"

Black maskings on Top/Bottom are PET Fabric. The rest is CLR 3 Fabric.

The listed measurements are for general reference only. Please contact Elite Screens to verify product design and dimensions before attempting to integrate its products with any structural or furniture modification. Although a manufacturer may offer product advice, it may be taken or disregarded at the integrator's discretion. Elite Screens will not be held responsible or be otherwise liable for faulty installations.



Carrying Bag



Packing Box

